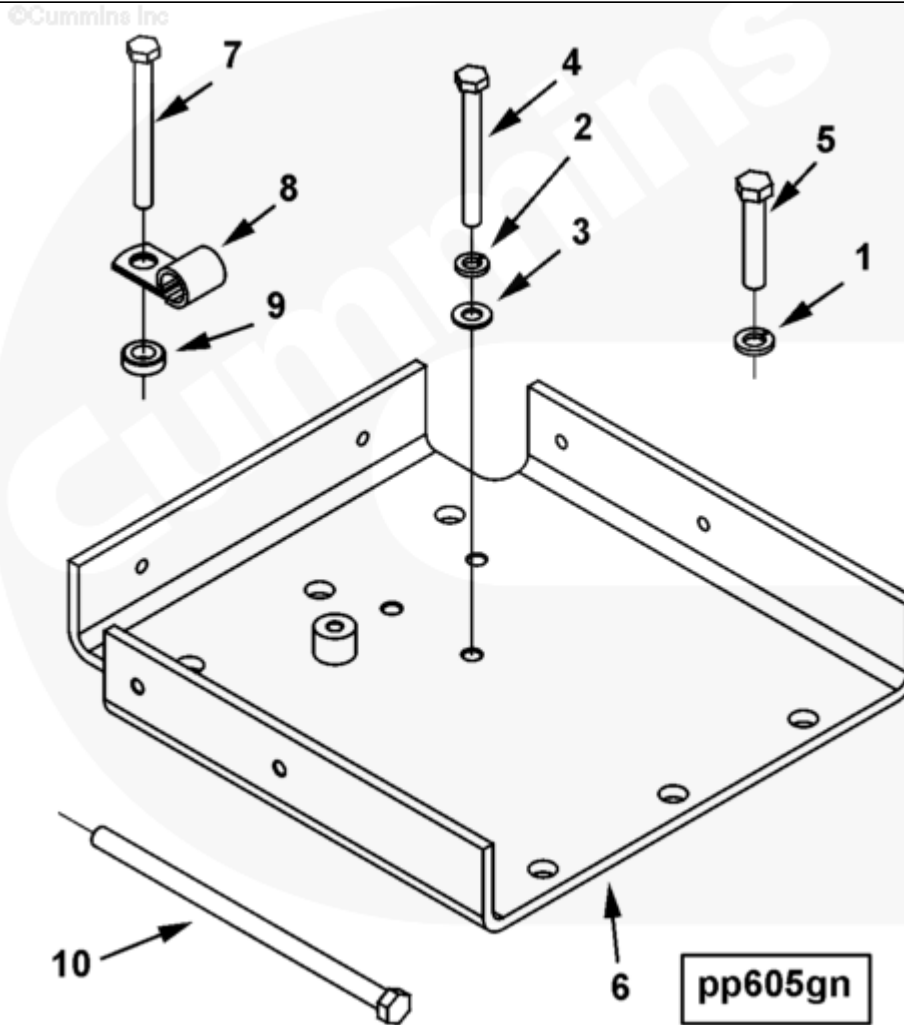




## Parts Catalog - Option Detail

Electronic Parts Catalog - Option Detail				
Option	Group	Graphic	Film Card	Date
PP2404-06	06.01.2	pp605gn	K38	06-FEB-06
<b>Engines</b>	GTA38, K38, KTA38GC CM558, QSK38 CM2150 K106, QSK38 CM2150 MCRS, QSK38 CM850 MCRS			



SMALL | MEDIUM | LARGE

Cart	Ref No	Part Number	Part Description	Required	Remarks
<a href="#">View My Cart</a>					
		<a href="#">PP2404-06</a>	Oil Control Valve Mounting		
<input type="checkbox"/>	1	<a href="#">S 604</a>	Lock Washer	4	3/8 in.
<input type="checkbox"/>	2	<a href="#">S 605</a>	Lock Washer	6	5/16 in.

<input type="checkbox"/>	3	<a href="#">S 626</a>	Plain Washer	6	5/16 in.
<input type="checkbox"/>	4	<a href="#">S 164</a>	Hexagon Head Cap Screw	6	5/16 - 24 X 3 Inch.
<input type="checkbox"/>	5	<a href="#">S 137</a>	Hexagon Head Cap Screw	4	3/8 - 16 x 2 in.
<input type="checkbox"/>	6	<a href="#">3978262</a>	Valve Bracket	2	
<input type="checkbox"/>	7	<a href="#">S 108 B</a>	Hexagon Head Cap Screw	2	5/16 - 24 X 3 1/4 Inch.
<input type="checkbox"/>	8	<a href="#">3627412</a>	Clip	2	
<input type="checkbox"/>	9	<a href="#">3632879</a>	Mounting Spacer	2	
<input type="checkbox"/>	10	<a href="#">4930290</a>	Hexagon Head Cap Screw	4	

© 2019 Cummins Inc., Box 3005, Columbus, IN 47202-3005 U.S.A.  
Terms of Use and Disclaimers | Recommended System Requirements  
Need Assistance? Please click on the Contact Us button in the top right corner of any page.